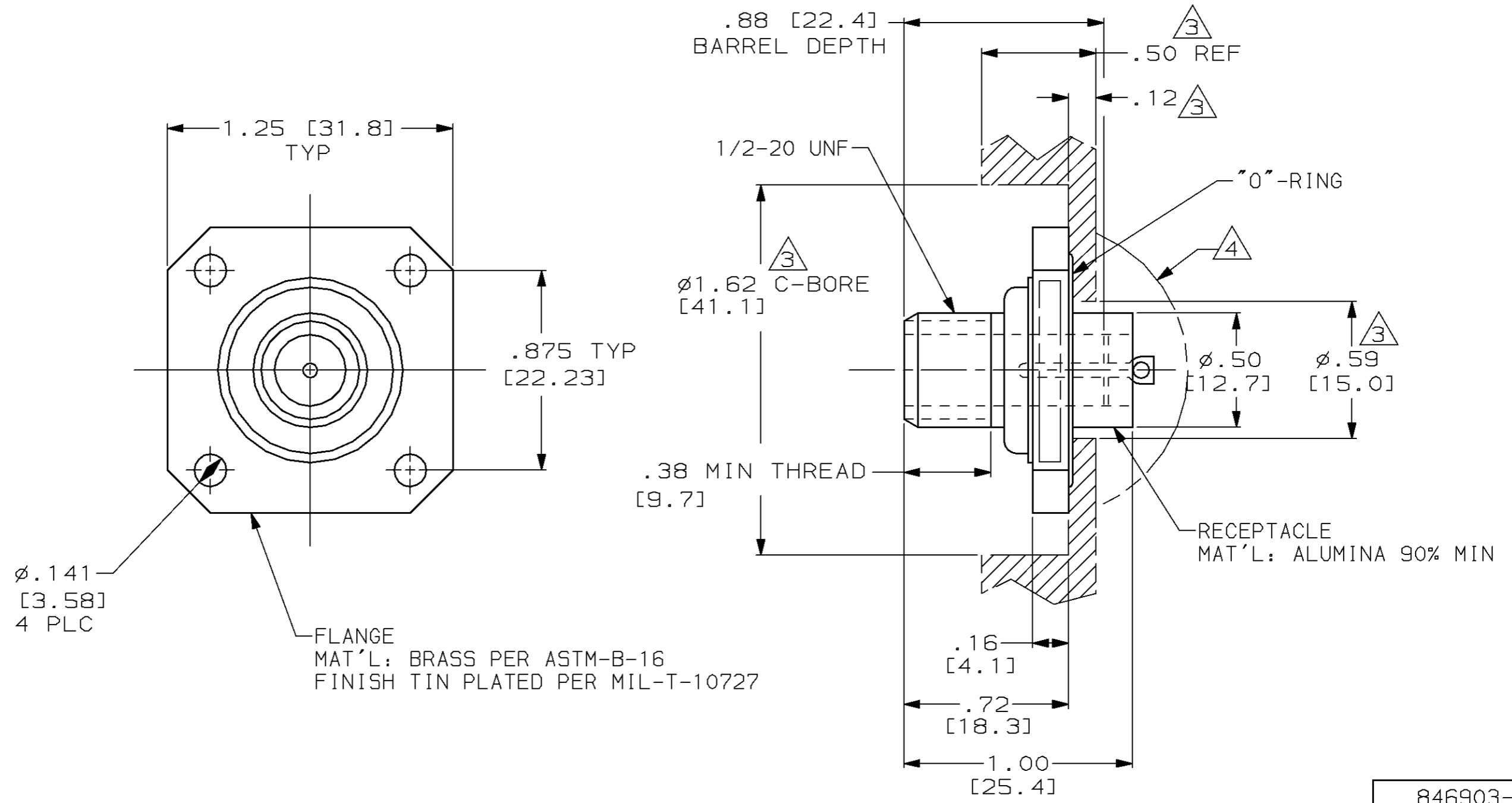


THIS DRAWING IS UNPUBLISHED. RELEASED FOR PUBLICATION, 19 .  
 © COPYRIGHT 19 BY AMP INCORPORATED. ALL RIGHTS RESERVED.

LOC	DIST	REVISIONS			
P	LTR	DESCRIPTION	DATE	DWN	APVD
DF	SO	E	REV & REDRAWN; 0600-4612-95	6-96	CT SG



- RECEPTACLE TO MATE WITH AMP RFI SHIELDED LGH-1 LEAD ASSY.
- MARKED PER MIL-STD-130.
- CUSTOMER BULKHEAD MOUNTING DIMENSIONS.
- CUSTOMER TO PROTECT THIS END AGAINST VOLTAGE BREAKDOWN.

846903-1  
PART NO.

THIS DRAWING IS A CONTROLLED DOCUMENT.		DWN C. C. THOMAS 6-14-96	<b>AMP</b> AMP Incorporated Harrisburg, PA 17105-3608
		CHK S. GLATFELTER 7-8-96	
		APVD S. GLATFELTER 7-8-96	NAME
		PRODUCT SPEC	FLANGED RECPTACLE ASSY, LGH-1
		APPLICATION SPEC	
		WEIGHT	
		CUSTOMER DRAWING	
		SIZE A3	CAGE CODE 00779
		DRAWING NO C-846903	
		SCALE 2:1	SHEET 1 OF 1
		REV E	

DIMENSIONS, INCHES [mm]	TOLERANCES UNLESS OTHERWISE SPECIFIED.
	0 PLC ±-
	1 PLC ±-
	2 PLC ±.02 [0.5]
	3 PLC ±.005 [0.13]
	4 PLC ±-
	ANGLES ±-
MATERIAL	FINISH